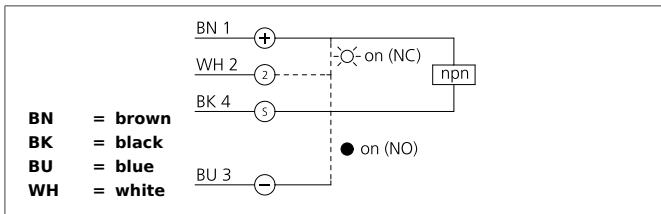


OT 18 FMR 600 N3

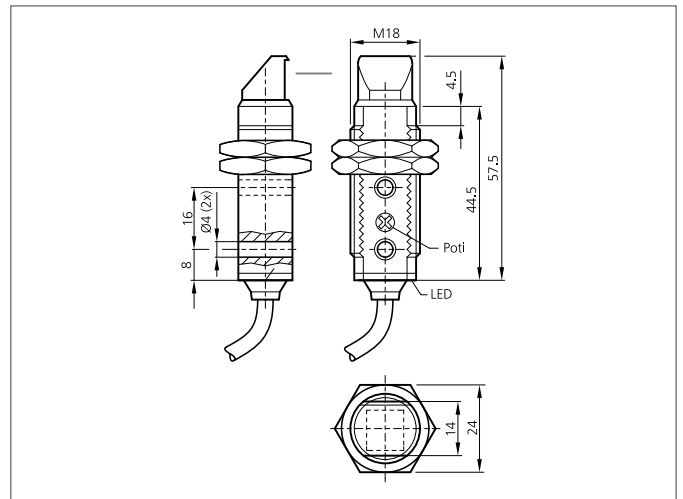
Diffuse Sensor

- Angled optics
- Universal mounting possibility
- Low installation depth
- Sensitivity adjustable
- LED indicator for output state
- Metal casing



Safety instructions

The Instruments are not to be used for safety applications, in particular applications in which safety of persons depends on proper operation of the instruments.
These instruments shall exclusively be used by qualified personnel.



| TECHNICAL INFORMATION (typ.) | +20°C, 24V DC |
|------------------------------|--|
| Operating principle | Diffuse reflective sensor |
| Evaluation | digital |
| Size | M18 x 1 (thread) |
| Design | screw |
| Emitted light | Infrared, 880 nm, clocked |
| Standardized measuring plate | 200 x 200 mm |
| Service voltage | 10 ... 30 V DC |
| Internal power consumption | 30 mA |
| background suppression | no |
| Operating distance | 600 mm |
| Sensitivity adjustment | potentiometer |
| Switching output | npn, 100 mA, NO/NC |
| Switching frequency | 1.000 Hz |
| Response-/release time | 0,5 ms / < 0,5 ms |
| Ambient temperature | -25 ... +55 °C |
| Ambient light immunity | 3 kLx, clocked light, > 10 kLx, Sunlight |
| Protection class | IP 67 |
| Protection degree | III, operation on protective low voltage |
| Casing material | metal |
| Material | polymethyl methacrylate (Window) |
| Connection | cable PVC, 2 m |